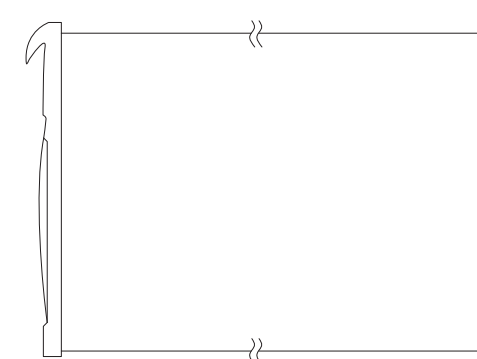
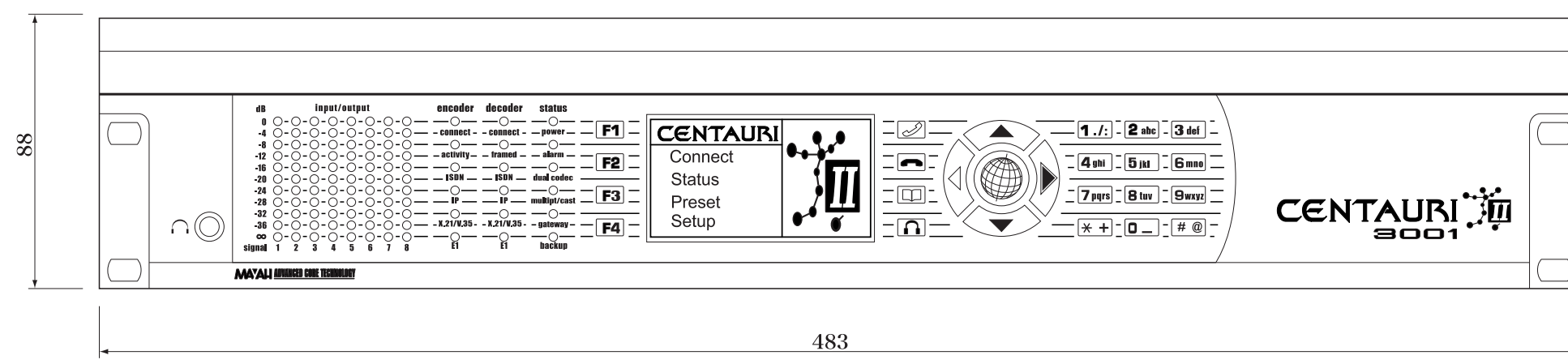
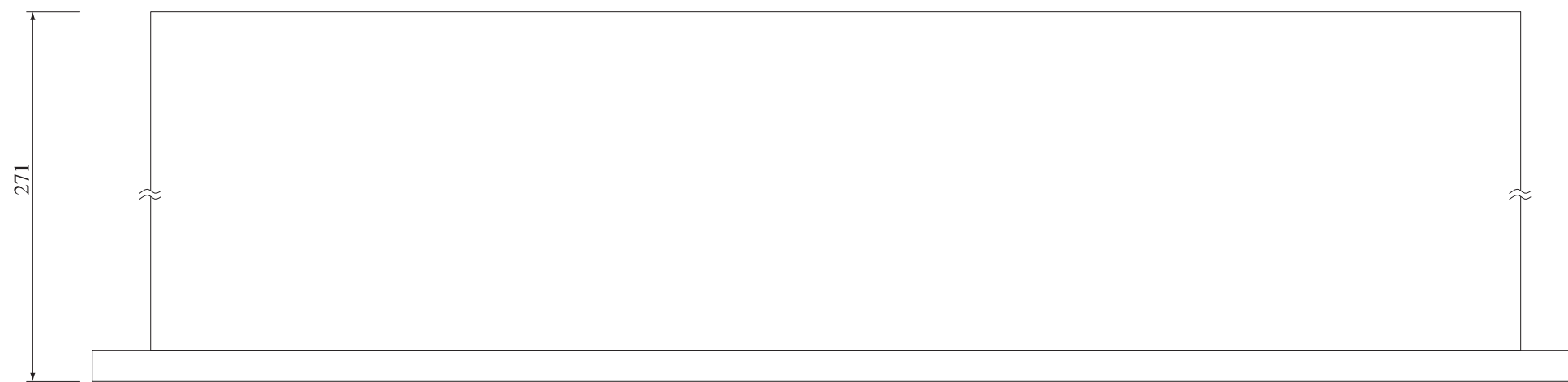
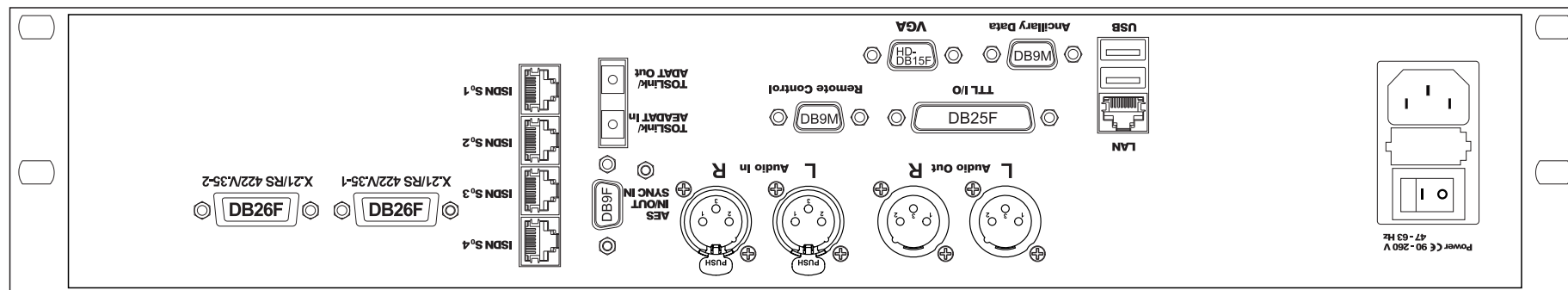


A B C D E F G

1
2
3
4
5

1
2
3
4
5



DESCRIPTION/TITLE		
CENTAURI II 3001外觀図		
MODEL/USER		
DRAWING No.	Scale	Size
20051130E01	1/2	A3
REVISION		
Date: 2005/11/30	Drawn by: <i>Keiji Enokida</i>	
File:	Sheet of	