

1 2 3 4 5 6 7 8

A

A

B

B

C

C

D

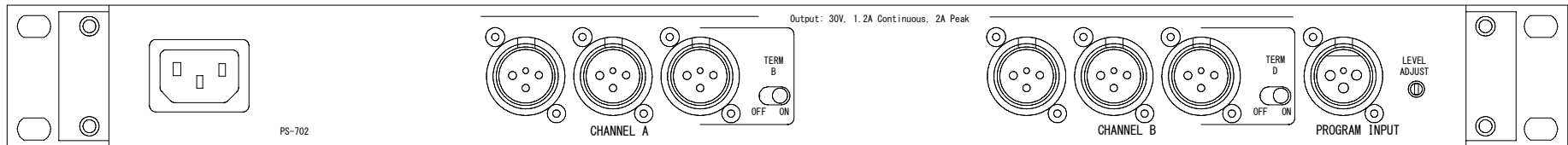
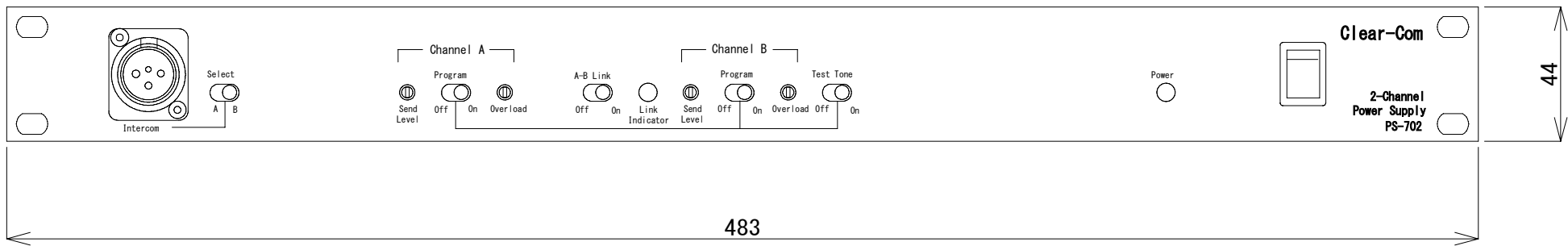
D

E

E

F

F



Editing	E				
	D				
	C				
	B				
Rev. A	Date	Discription	Design	Check	

Note

Date	MTCjapan <small>Copyright 2022</small>		Title PS-702 外觀図		
Approved by	Checked by	Designed by TAKANO	Drawing Number MTC0803044	Scale 1/2	Sheet A3

1 2 3 4 5 6 7 8