

1

2

3

4

5

6

A

A

B

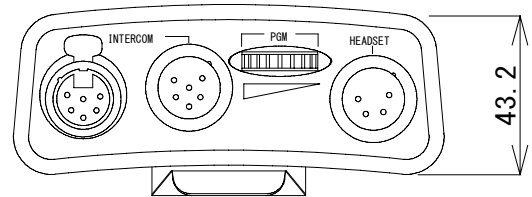
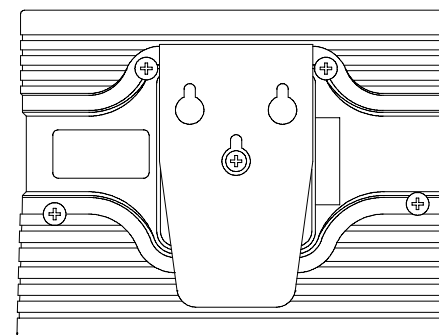
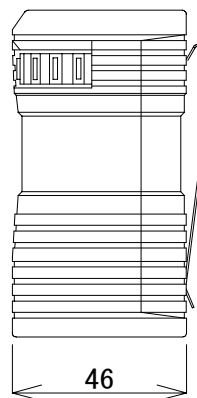
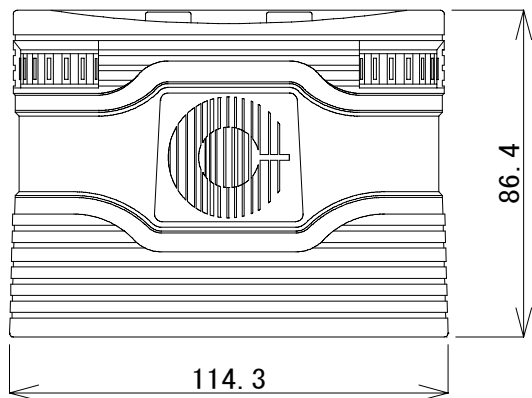
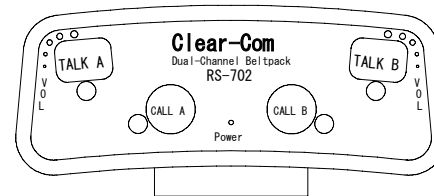
B

C

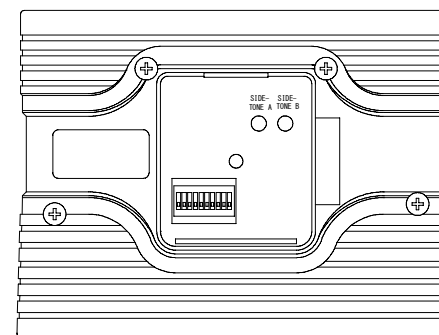
C

D

D



Sidetone調整 DIPスイッチ 配置



D					FILE	CHECKED	USER	DESCRIPTION/TITLE 外観図		
C					DESIGNED	DRAWN TAKANO	MODEL RS-702	DRAWING No. MTC103131021	SCALE 1/2	SHEET A4
B										
Rev.A	DESCRIPTION	DATE	BY	CHK						

1

2

3

4

5