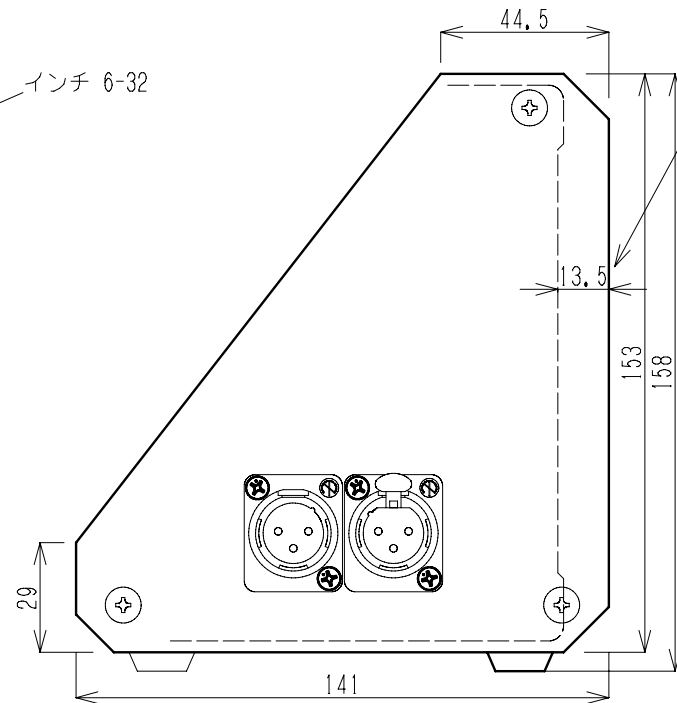
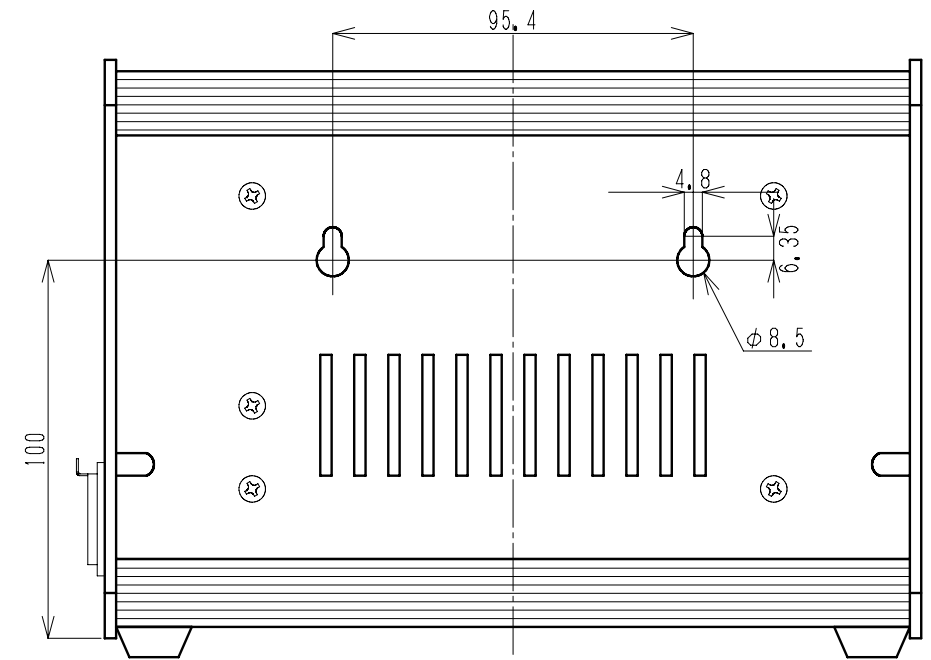


インチ 6-32



背面図落とし込み寸法



DESCRIPTION/TITLE					
MODEL/USER					
CLEAR-COM V-BOX					
DRAWING No.					
MTC103150221					
REVISION					
DISK/FILE	APPROVED	CHECKED	DRAWN	DESIGNED	SCALE SHEET
V-BOX11			S. TAKANO		1/2 1/1