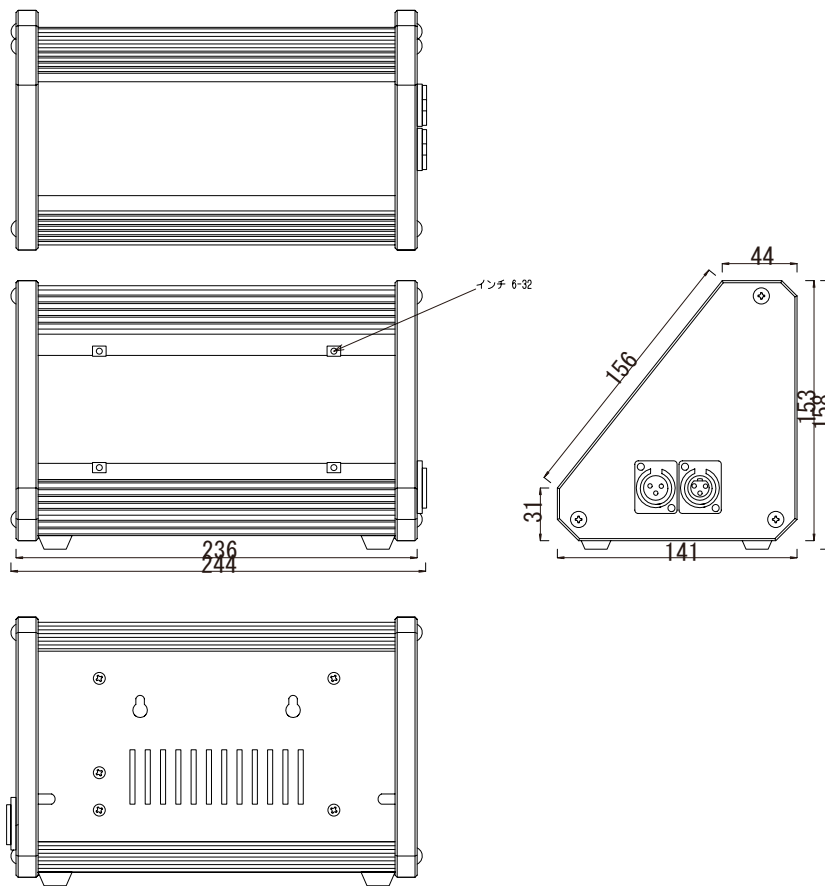
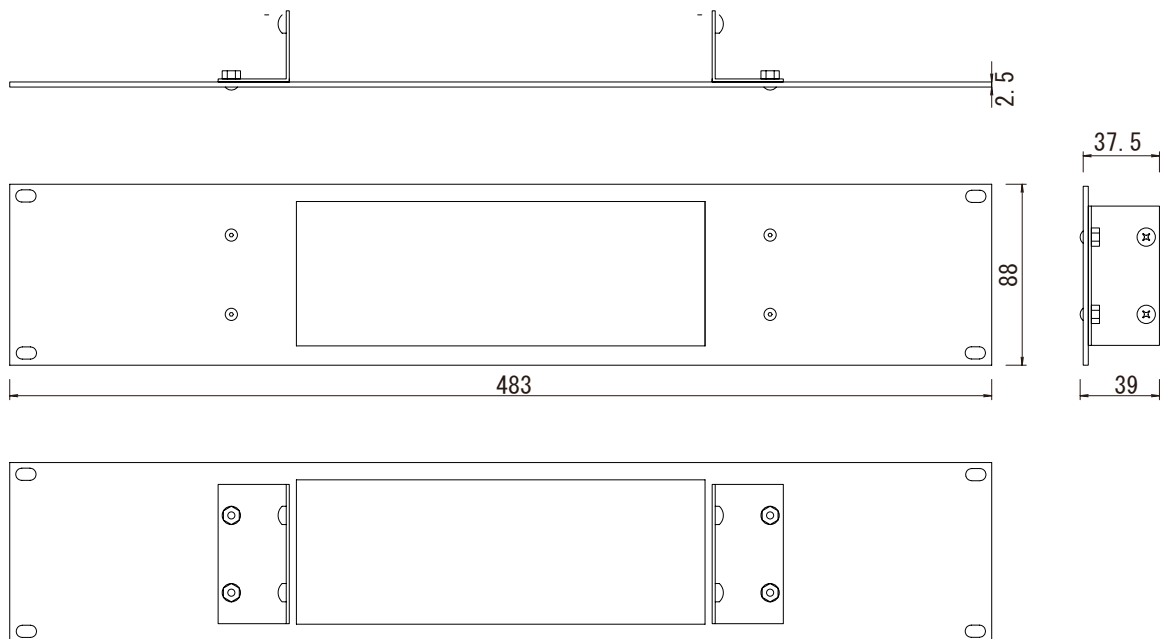


V-BOX 寸法図 (Dimensions)

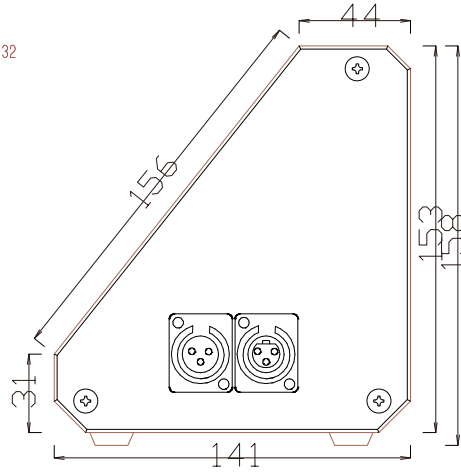
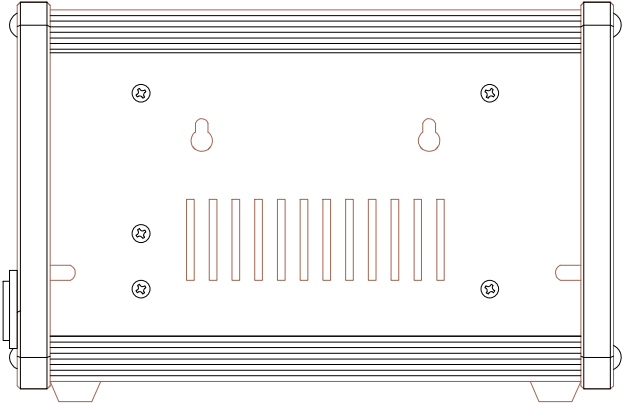
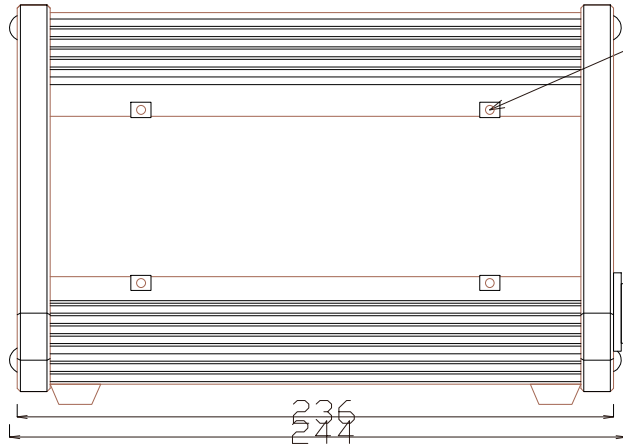
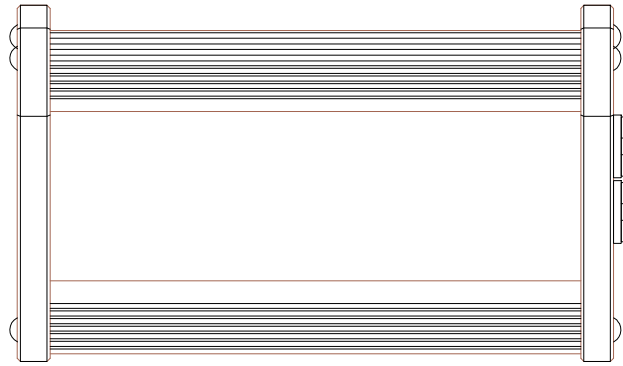


RK-101 寸法図 (Dimensions)



PARTS LIST

| PART # | DESCRIPTION | QTY |
|--------|-------------------------------|-----|
| 250524 | CS/PS SINGLE RACK MOUNT PANEL | 1 |
| 250228 | RACK MOUNT BRACKET | 2 |
| 280037 | #6 P. H. PHIL. SCREW | 4 |
| 280050 | #6 KEP NUT | 8 |
| 280209 | #6 HEX SCREW, BLACK | 4 |
| 810141 | RK-101 INSTRUCTION SHEET | 1 |



| | | | | | | |
|-------------------|----------|---------|-----------------|----------|-------|-------|
| REVISION | | | | | | |
| FILE | APPROVED | CHECKED | DRAWN | DESIGNED | SCALE | SHEET |
| V_BOX | | | K, SUZUKI | | 1/2 | 1/1 |
| DESCRIPTION/TITLE | | | Clear-Com V-BOX | | | |
| MODEL/USER | | | | | | |
| DRAWING No. | | | | | | |